

MINOLTA

SR-2

**SINGLE LENS
REFLEX SYSTEM
OF PHOTOGRAPHY**

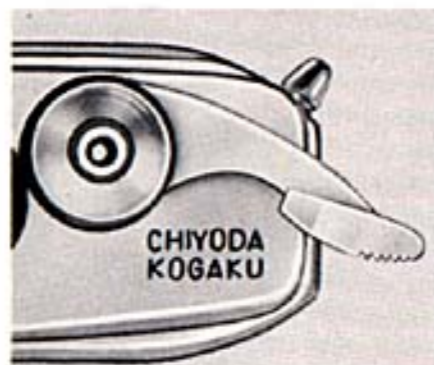


**A NEW HIGH IN
PRACTICAL AUTOMATION**

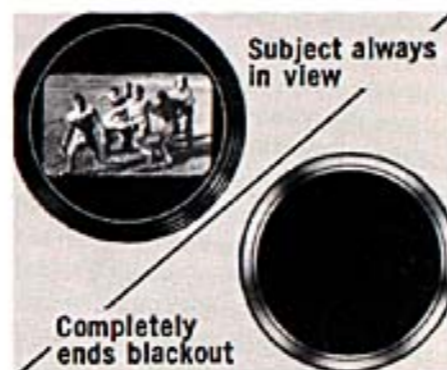
Everything you could ask for in a single lens reflex system

FEATURES

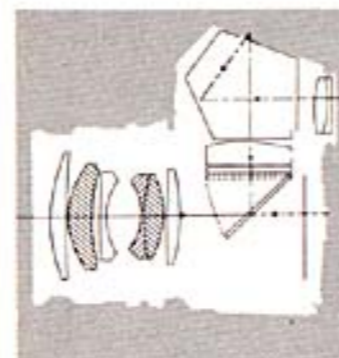
Here in one camera are the most advanced features, needed and wanted by professionals and advanced amateurs. Major features like those illustrated—and little touches that mean top quality, convenience and performance.



Automatic Diaphragm — Advance single-throw film wind lever, and instantaneously the diaphragm opens to its largest opening; film advances, shutter is cocked, counter registers.



Instant Return Mirror — Press shutter release. Instantaneously diaphragm closes down to your pre-selected aperture; mirror clears, film is exposed; mirror returns.



World's Brightest Viewing System — Condensing and fresnel lens system provides ultra-bright, fine grained corner-to-corner image.



Single, Non-Rotating Speed Dial from 1 to 1/1000 sec. and B locks into place. Can't be jarred or delayed by accidental touch of your finger.



Unique Self-Timer — Even though cocked, instantaneous exposures can be made 10 seconds, or fraction thereof can be set by simply positioning lever.



Rapid Rewind Crank ... Automatic Zero Return...Magnified Counter...exclusive, one-hand-operation camera-back release, etc.

ROKKOR LENSES:

All lenses are ultra-precision crafted of rare earths in platinum pots with a special double coating that eliminates the need for a UV filter. Minolta even makes their own glass. Thus, quality is controlled throughout to meet the most critical professional standards.



Auto Rokkor PF
55 mm, f:1.8 (Standard Lens) 6-element: 43° angle of view—focuses as close as 50 cm. (19.6 inches) **\$110**



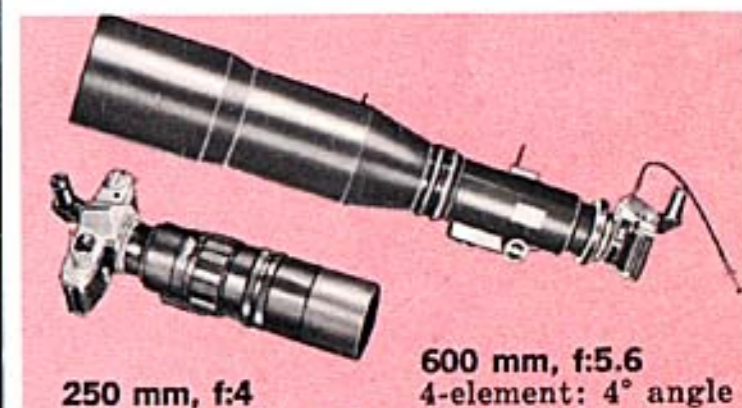
Auto W. Rokkor HG
35 mm, f:2.8 (wide angle) 7-element: 64° angle of view—focuses as close as 31 cm. (12 inches) **\$119.50** (with leather case)



Auto Tele Rokkor QE
100 mm, f:3.5 5-element: 24° angle of view—focuses as close as 100 cm. (40 inches) **\$99.50** (with case & hood)



Tele Rokkor PG
135 mm, f:2.8 7-element: 18° angle of view—focuses as close as 120 cm. (48 inches) **\$129.50** (with case & hood)



250 mm, f:4
6-element: 10° angle of view—focuses as close as 270 cm. (108 inches) **\$215** (with leather case & hood)

600 mm, f:5.6
4-element: 4° angle of view—focuses as close as 1098 cm. (36 feet) **\$550** (with case & hood) (Tripod with case \$100)

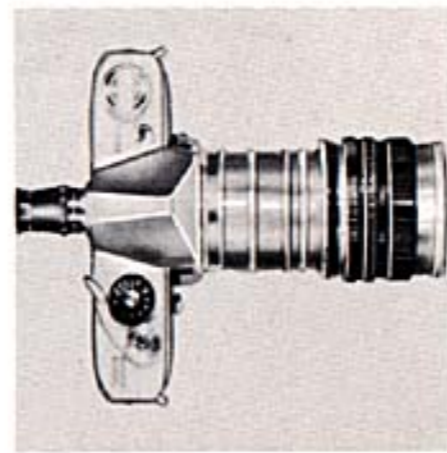
Available soon: 100 mm, f:4 and 200 mm, f:3.5

ACCESSORIES:

Minolta accessories will delight and surprise you. Delight you because of their obvious quality and high standard of performance. Surprise you because of their very reasonable price. Examine the list and see why the SR-2 is truly a System Of Photography.



Angle Finder
\$14.95



Extension Tube Set
\$19.95



Magnifier (Critical focusing eye piece)
\$14.00



Extension Bellows
\$24.95



Microscope Adapter
\$19.95



Accessory Clip
\$1.95

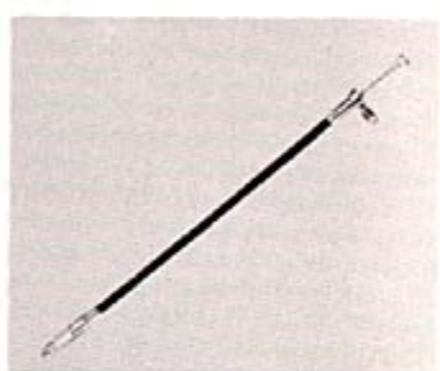
accessories for every situation



Leica Lens Mount Adapter — \$4.95



Soft or Hard Leather Case \$15.00



Cable Release — \$1.95



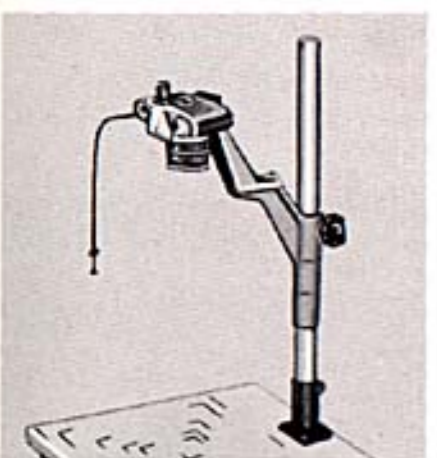
Neck Strap — \$2.95



Polarizing Filter — \$19.95



Regular Filters — \$6.95



Copying Stand — \$49.50

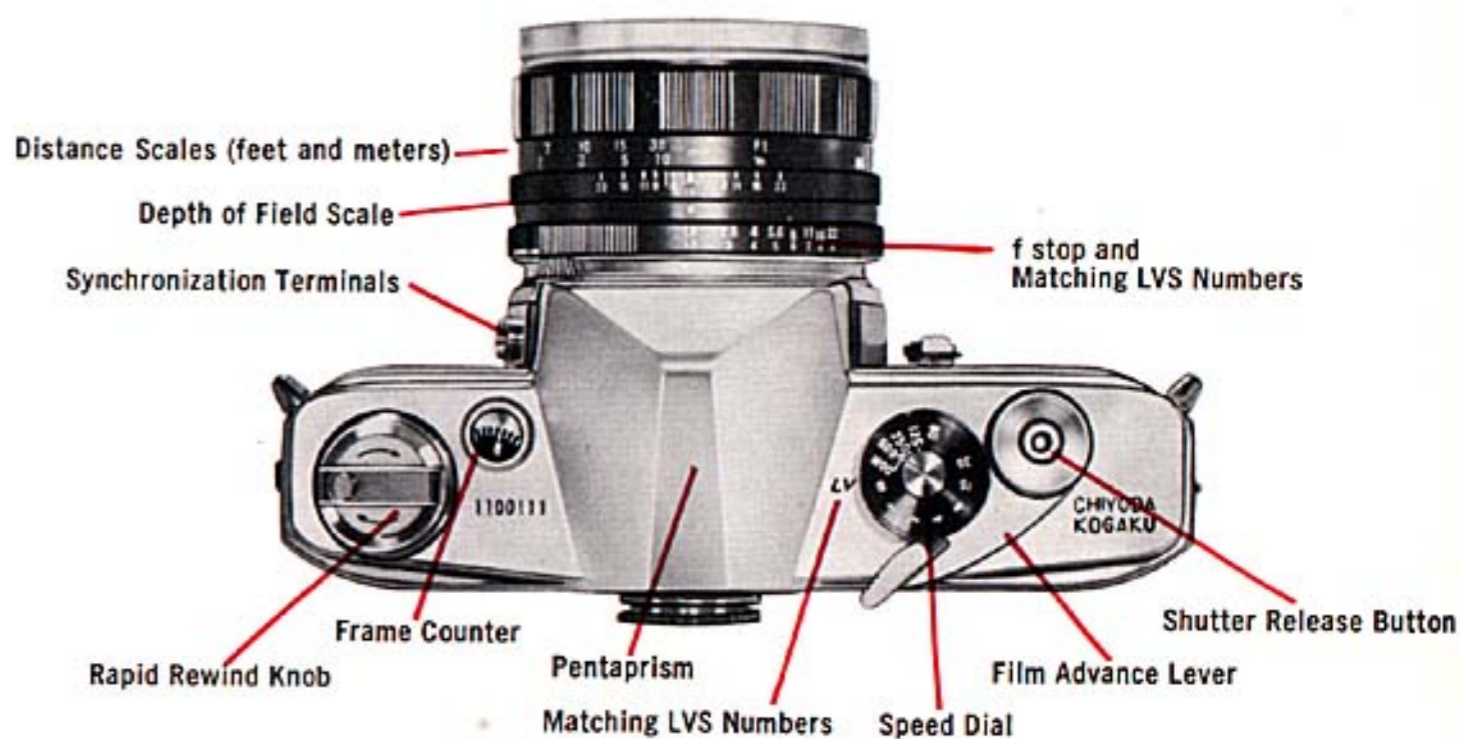


Lens Hood — \$5.95



Exacta Lens Mount Adapter — \$4.95

MINOLTA SR-2



Price of SR-2 camera complete with 55 mm, f:1.8 automatic lens **\$249⁵⁰**



CHIYODA KOGAKU SEIKO K. K. OSÅKA, JAPAN

**Mfrs. of World famous Minolta Cameras, Rokkor Lenses,
photographic accessories and precision optical instruments.**

© The Minolta Camera Co.
scanned by RED Bailey

Printed in U.S.A.